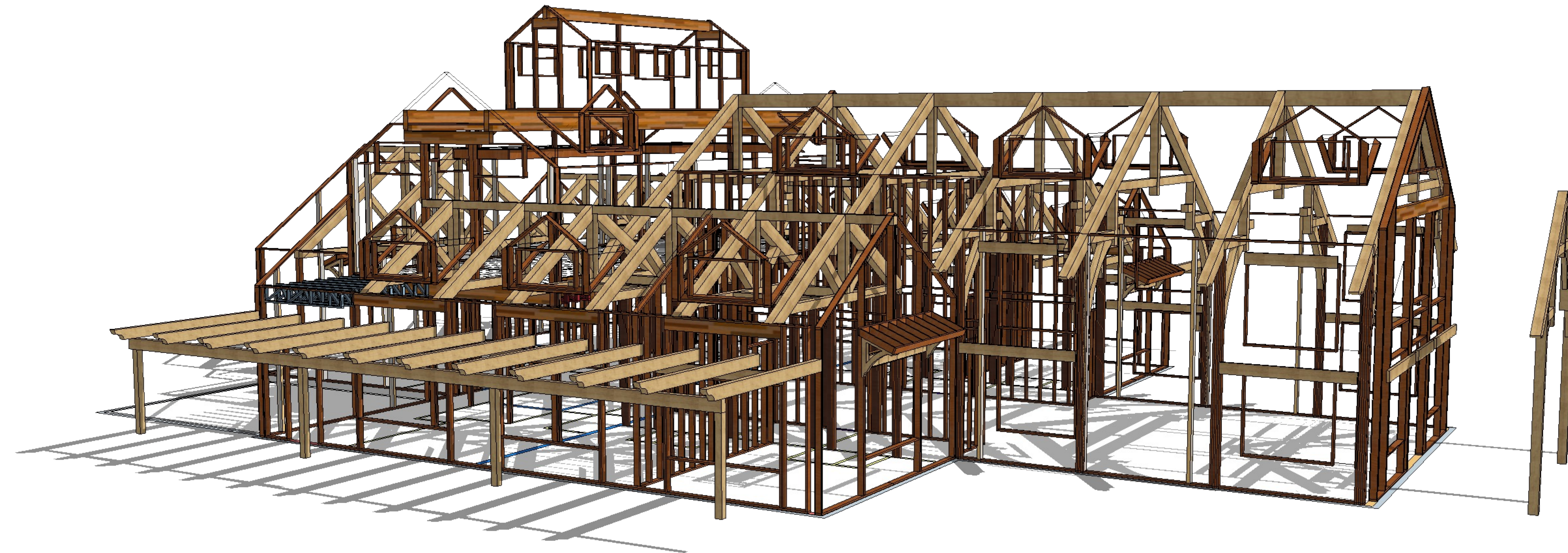


FRAMING OVERVIEW

Silver Lakes Ranch
 Building Lot 551
 Crosstimbers Dr
 Bowie, TX 76230





**PRELIMINARY
 NOT FOR CONSTRUCTION**


NOT APPROVED: _____
 APPROVED FOR CONCEPT: _____
 APPROVED FOR PRODUCTION: _____
 APPROVED WITH NOTED CHANGES: _____
 THE REQUEST FOR APPROVAL OF THESE DRAWINGS HAS BEEN NOTED ABOVE WITH ALL APPROPRIATE LINES CHECKED. I UNDERSTAND THAT THIS STRUCTURE IS TO BE ASSEMBLED IN ACCORDANCE WITH THE DETAILS PROVIDED IN THE PREMIER BUILDING SYSTEM "CONSTRUCTION MANUAL". I HAVE HAD ALL APPROPRIATE ADVISORS INCLUDING; GENERAL CONTRACTORS, SAID ARCHITECTS, OR ANOTHER THIRD PARTY, REVIEW THESE DRAWINGS.
 SIGNATURE OF OWNER/CONTRACTOR: _____
 DATE: _____

DEFINITIONS

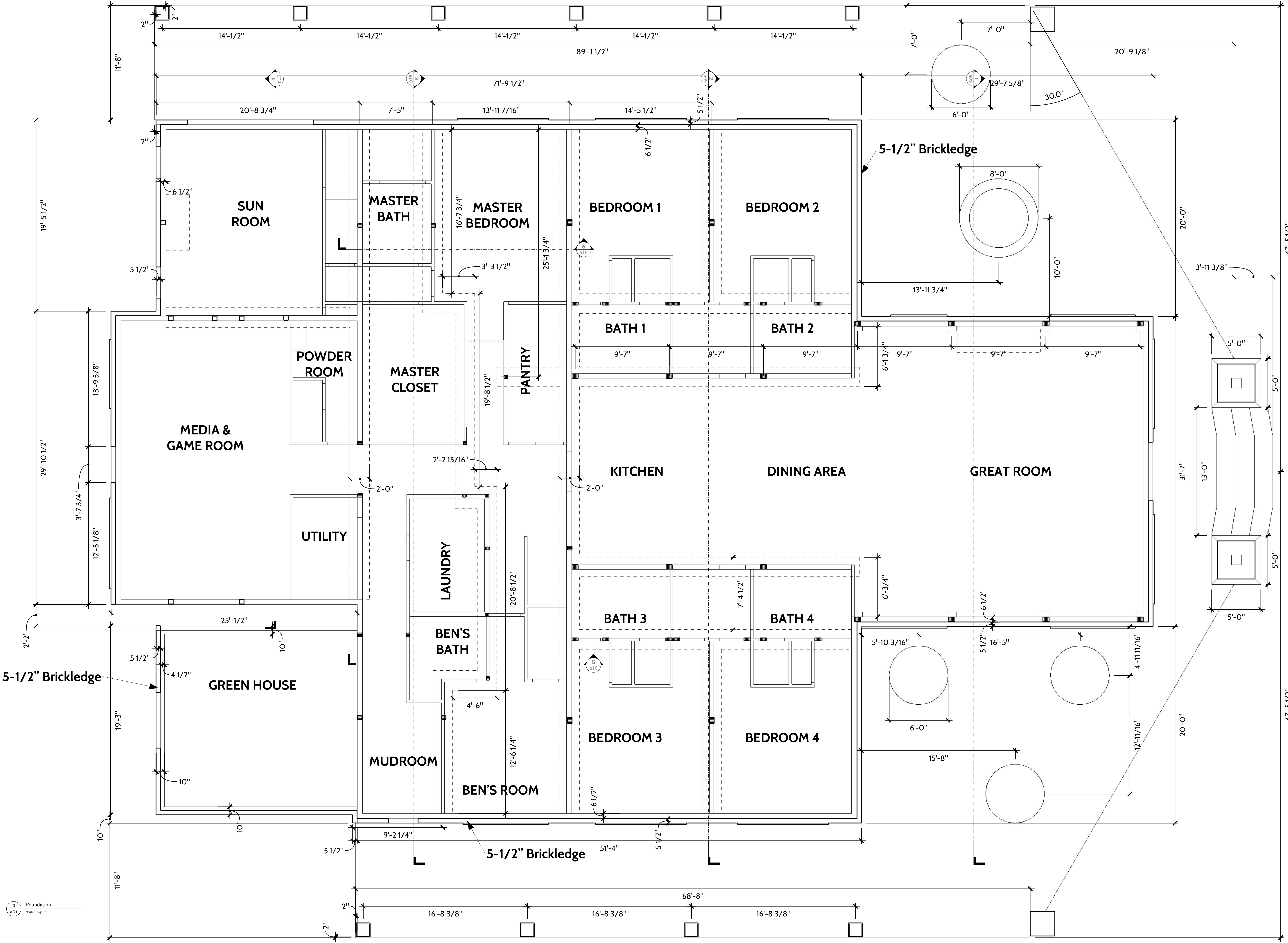
OWNER/CONTRACTOR: Mr. & Mrs. Frank Brown
 DISTRIBUTOR: GeoFaze SIPs

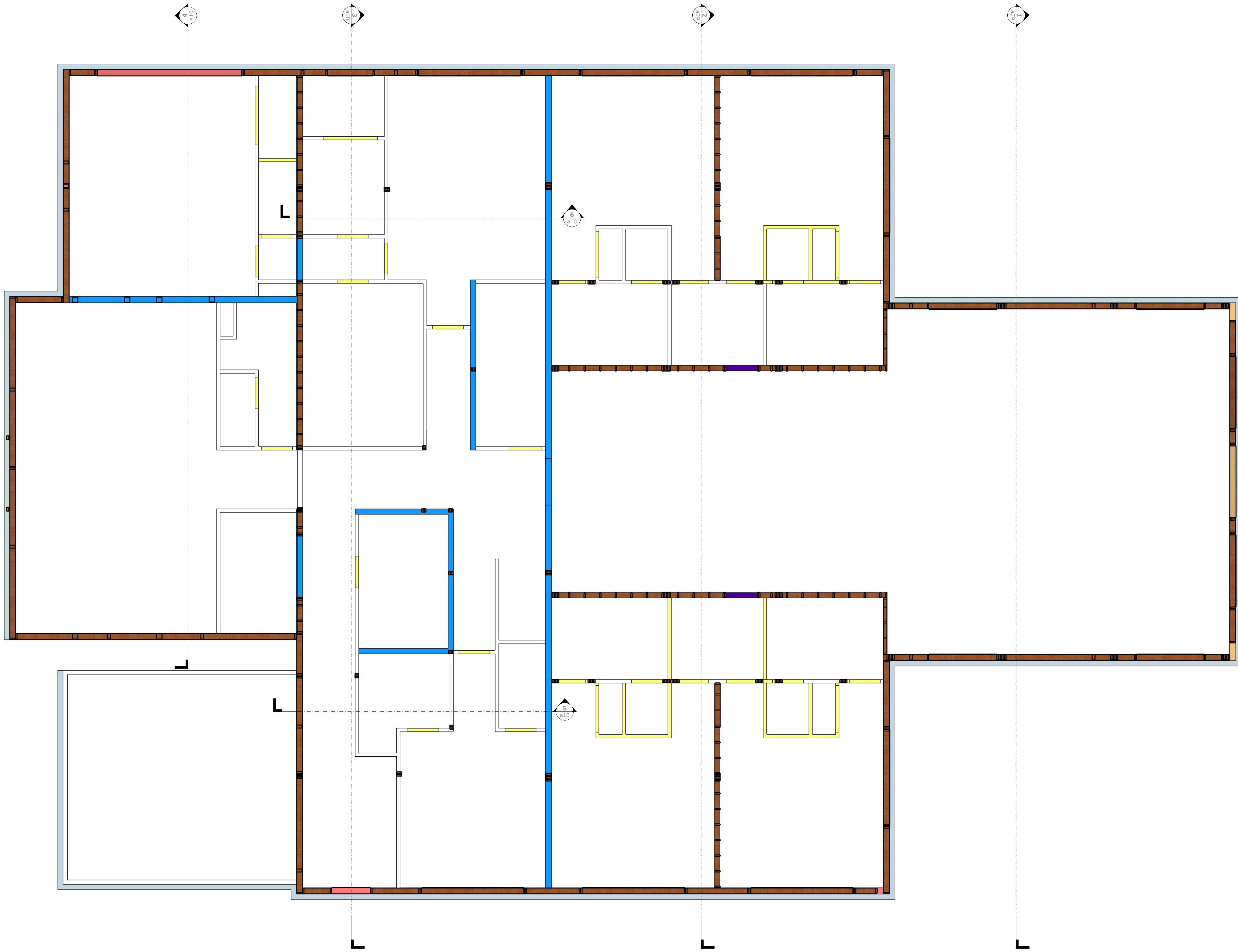
 SECTION VIEW INDICATOR

 Detail Title
 Scale _____ DETAIL INDICATOR

Height _____
 Beam Height _____  ELEVATION INDICATOR

STATISTICS						
LOCATION	TYPE	PANEL THICKNESS	CORE THICKNESS	OSB THICKNESS	R-VALUE	SQUARE FOOTAGE
MAIN HOUSE	ROOF	10 1/4"	9 3/8"	7/16"	40	
MAIN HOUSE	WALLS	6 1/2"	5 5/8"	7/16"	24	
GARAGE	ROOF	10 1/4"	9 3/8"	7/16"	40	1,638
GARAGE	WALLS	6 1/2"	5 5/8"	7/16"	24	1,848
LOCATION	AC SQUARE FOOTAGE					
MAIN HOUSE	7,045					
GARAGE	2,022					





DRAWN BY
 TLH

DESCRIPTION
 1st Floor Framing

PROJECT NO.
 [ENTER]

CLIENT
 Mr. & Mrs. Frank Brown
 9013 Thompson Dr.
 Argyle, TX 76226

ISSUE
 04.06.2021

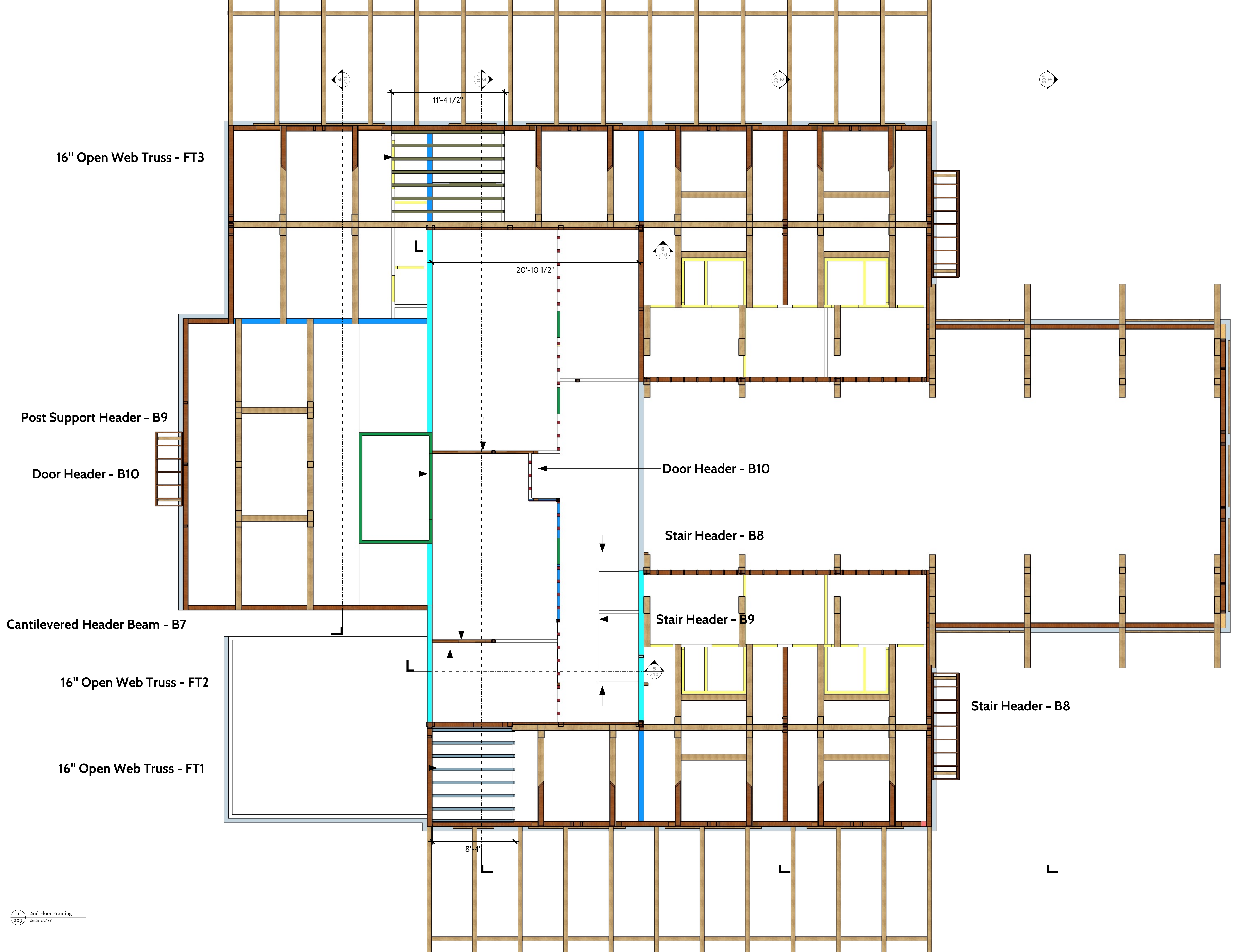
RE-ISSUE
 06.10.2021

PROJECT
 FRAMING OVERVIEW

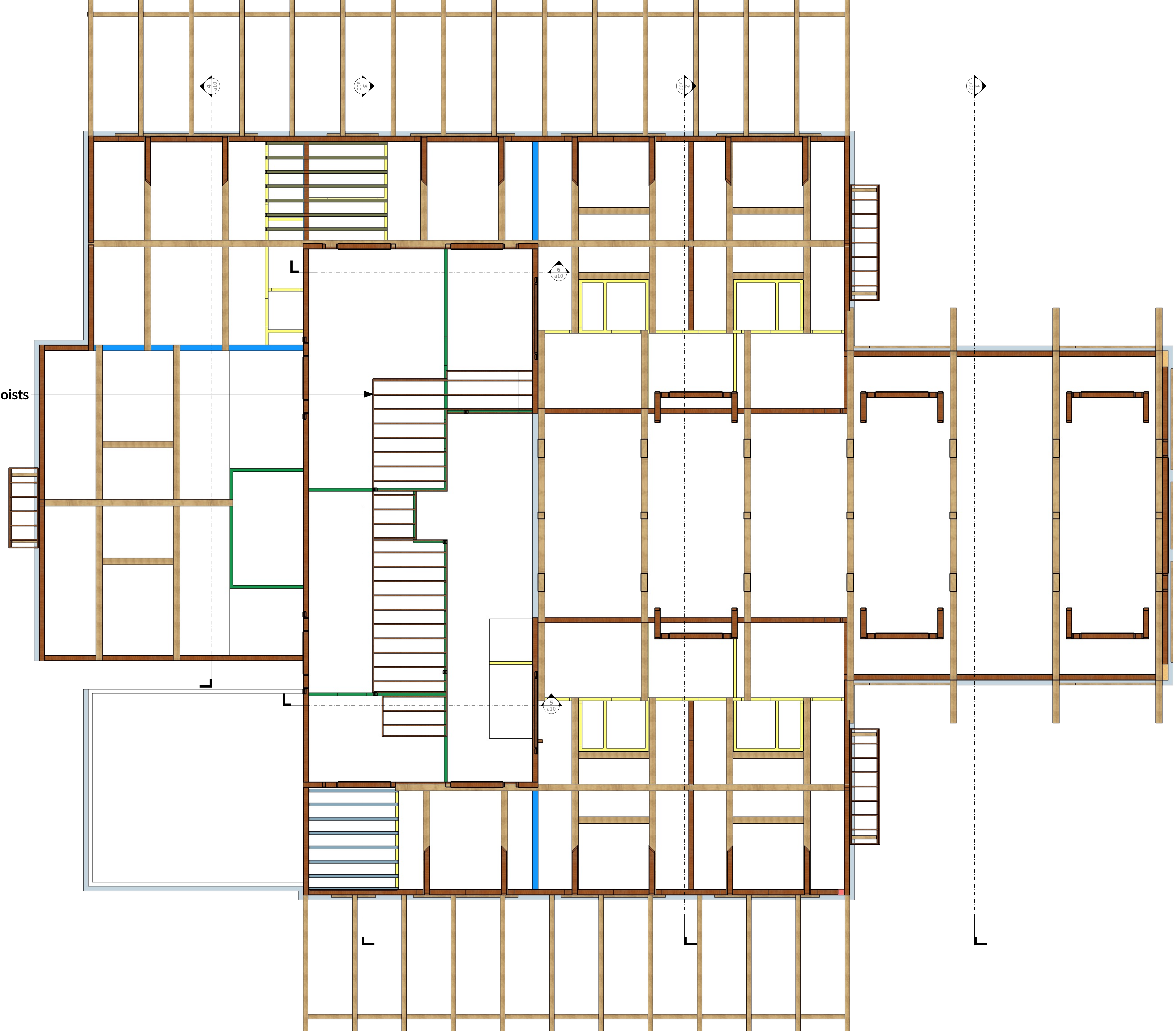
PROJECT ADDRESS
 Silver Lakes Ranch
 Building Lot 551
 Crosstimbers Dr
 Bowie, TX 76230

GeoFaze SIPS
 27 Glen Hill Road
 Wilton, CT 06897

GeoFaze SIPS
 Structural Insulated Panels



2x[] Attic Floor Joists



DRAWN BY
TLH

DESCRIPTION
Attic Floor Framing

PROJECT NO.
[ENTER]

CLIENT
Mr. & Mrs. Frank Brown
9013 Thompson Dr.
Argyle, TX 76226

ISSUE
04.06.2021

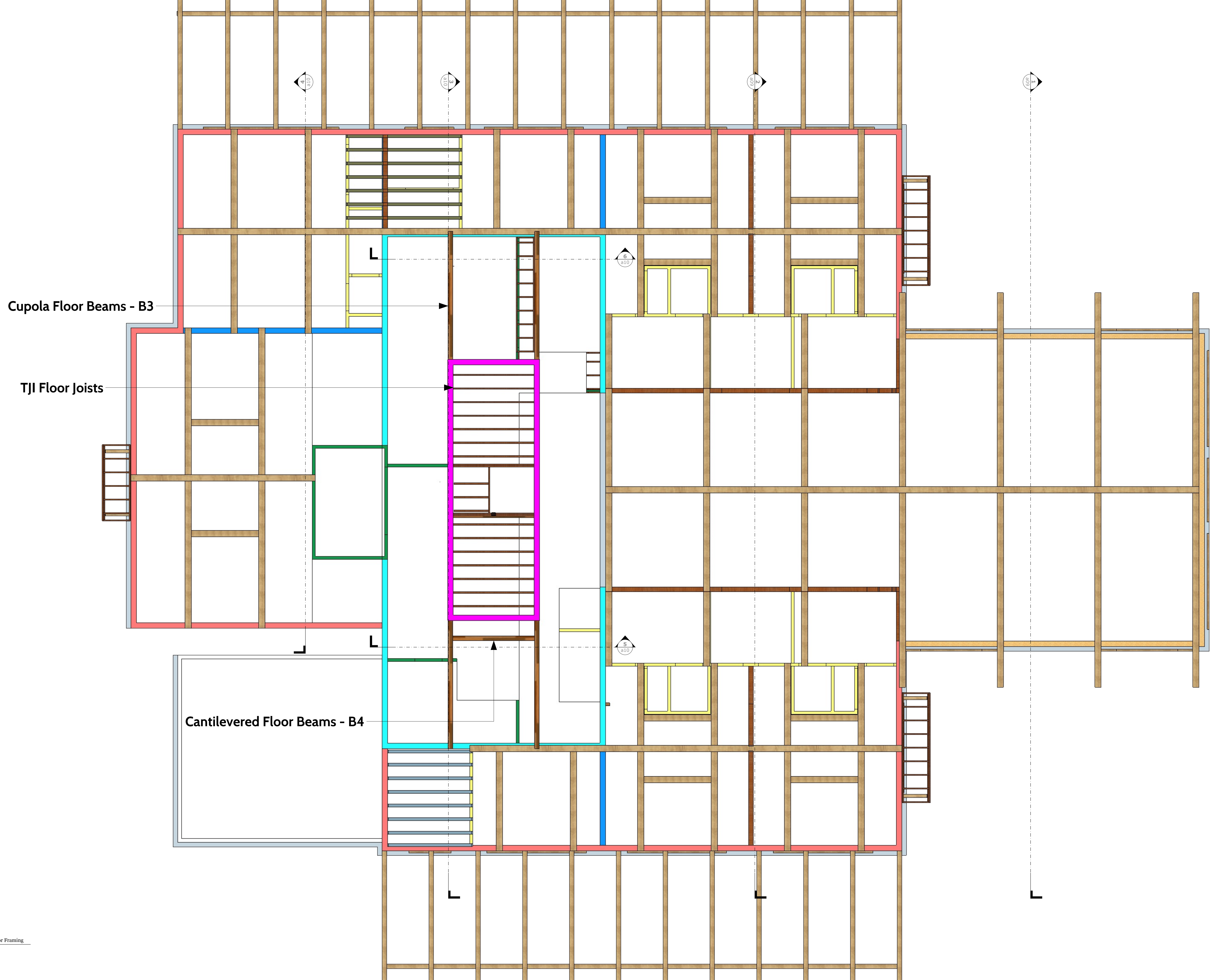
RE-ISSUE
06.10.2021

PROJECT
FRAMING OVERVIEW

PROJECT ADDRESS
Silver Lakes Ranch
Building Lot 551
Crosstimbers Dr
Bowie, TX 76230

GeoFaze SIPS
27 Glen Hill Road
Wilton, CT 06897

GeoFaze SIPS
Structural Insulated Panels™



DRAWN BY
TLH

DESCRIPTION
Cupola Floor Framing

PROJECT NO.
[ENTER]

CLIENT
Mr. & Mrs. Frank Brown
9013 Thompson Dr.
Argyle, TX 76226

ISSUE
04.06.2021

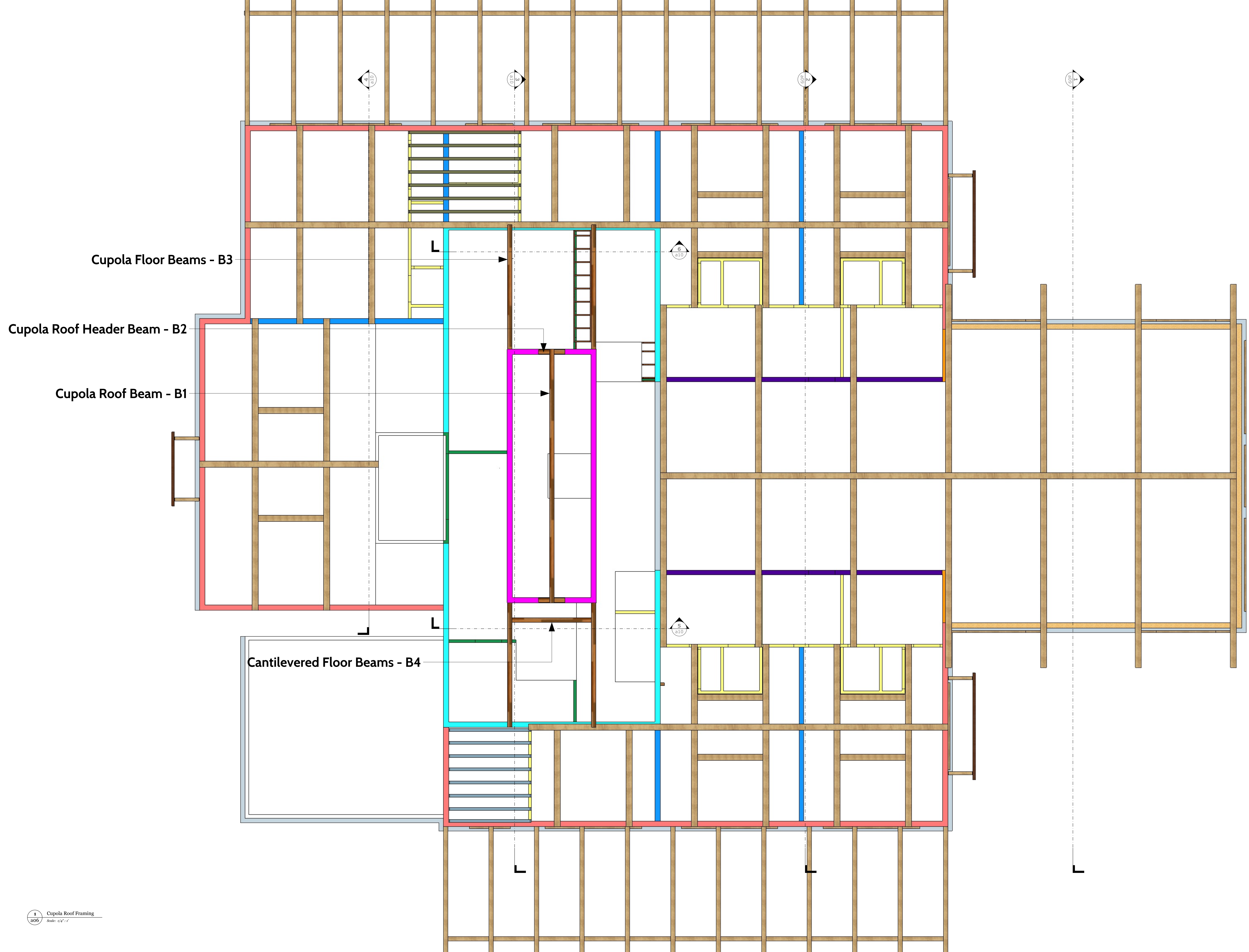
RE-ISSUE
06.10.2021

PROJECT
FRAMING OVERVIEW

PROJECT ADDRESS
Silver Lakes Ranch
Building Lot 551
Crosstimbers Dr
Bowtie, TX 76230

GeoFaze SIPS
27 Glen Hill Road
Wilton, CT 06897

GeoFaze SIPS
Structural Insulated Panels™



Cupola Floor Beams - B3

Cupola Roof Header Beam - B2

Cupola Roof Beam - B1

Cantilevered Floor Beams - B4

GeoFaze SIPS
Structural Insulated Panels™

GeoFaze SIPS
27 Glen Hill Road
Wilton, CT 06897

PROJECT
FRAMING OVERVIEW

PROJECT ADDRESS
Silver Lakes Ranch
Building Lot 551
Crosstimbers Dr
Bowtie, TX 76230

ISSUE
04.06.2021

RE-ISSUE
06.10.2021

PROJECT NO.
[ENTER]

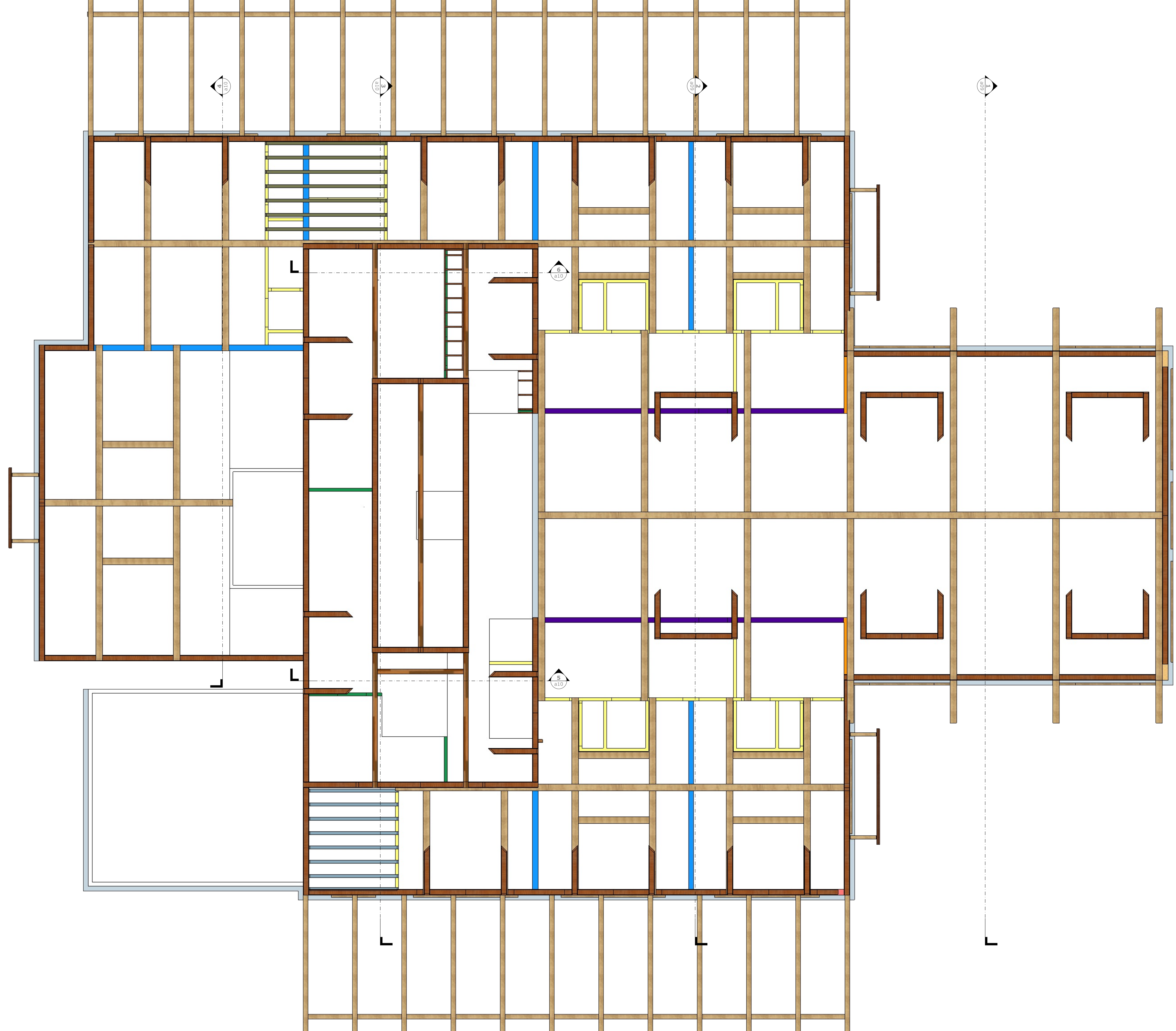
CLIENT
Mr. & Mrs. Frank Brown
9013 Thompson Dr.
Argyle, TX 76226

DRAWN BY
TLH

DESCRIPTION
Cupola Roof Framing

a

06



DRAWN BY
TLH

DESCRIPTION
Dormers

PROJECT NO.
[ENTER]

CLIENT
Mr. & Mrs. Frank Brown
9013 Thompson Dr.
Argyle, TX 76226

ISSUE
04.06.2021

RE-ISSUE
06.10.2021

PROJECT
FRAMING OVERVIEW

PROJECT ADDRESS
Silver Lakes Ranch
Building Lot 551
Crosstimbers Dr
Bowie, TX 76230

GeoFaze SIPS
27 Glen Hill Road
Wilton, CT 06897

GeoFaze SIPS
Structural Insulated Panels™

Bedroom Half Truss - T5

Truss - T7

Ridge Beam - TF6

Cross Beam - FT4

Ridge Beam - TF8

Truss - T6

Bedroom Half Truss - T5

6x10 Beam - TF1

Ridge Beam - TF7

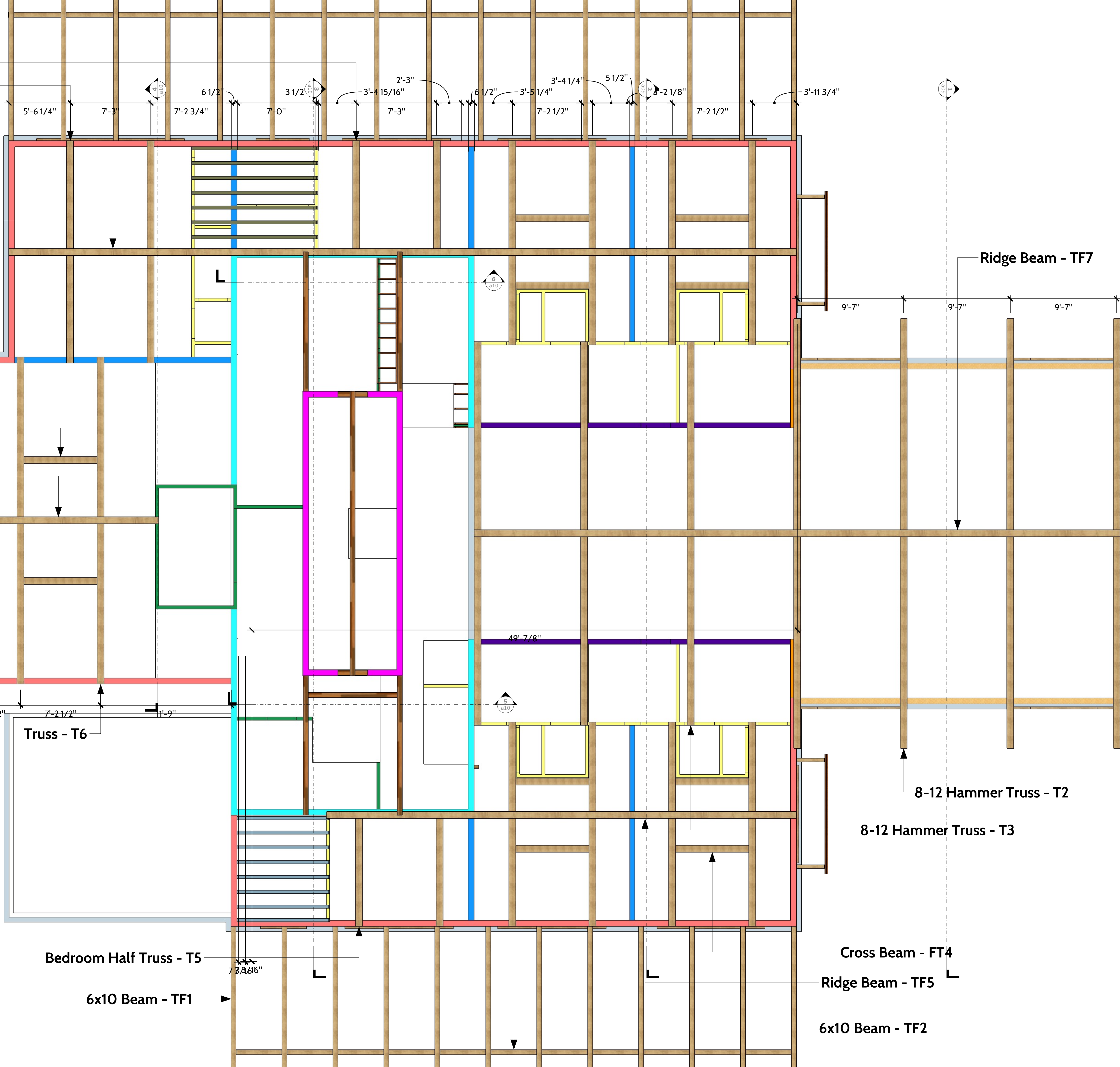
8-12 Hammer Truss - T2

8-12 Hammer Truss - T3

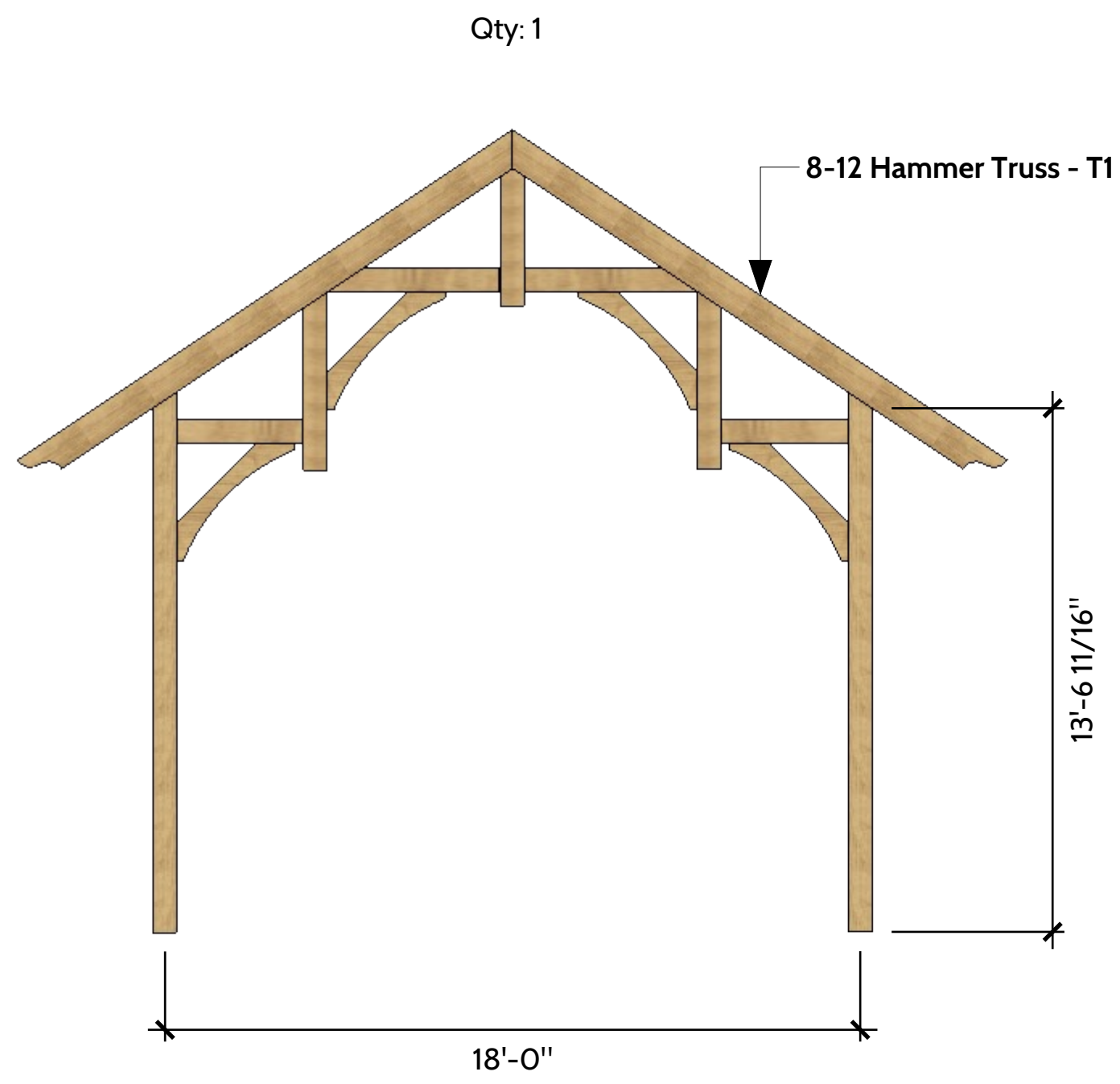
Cross Beam - FT4

Ridge Beam - TF5

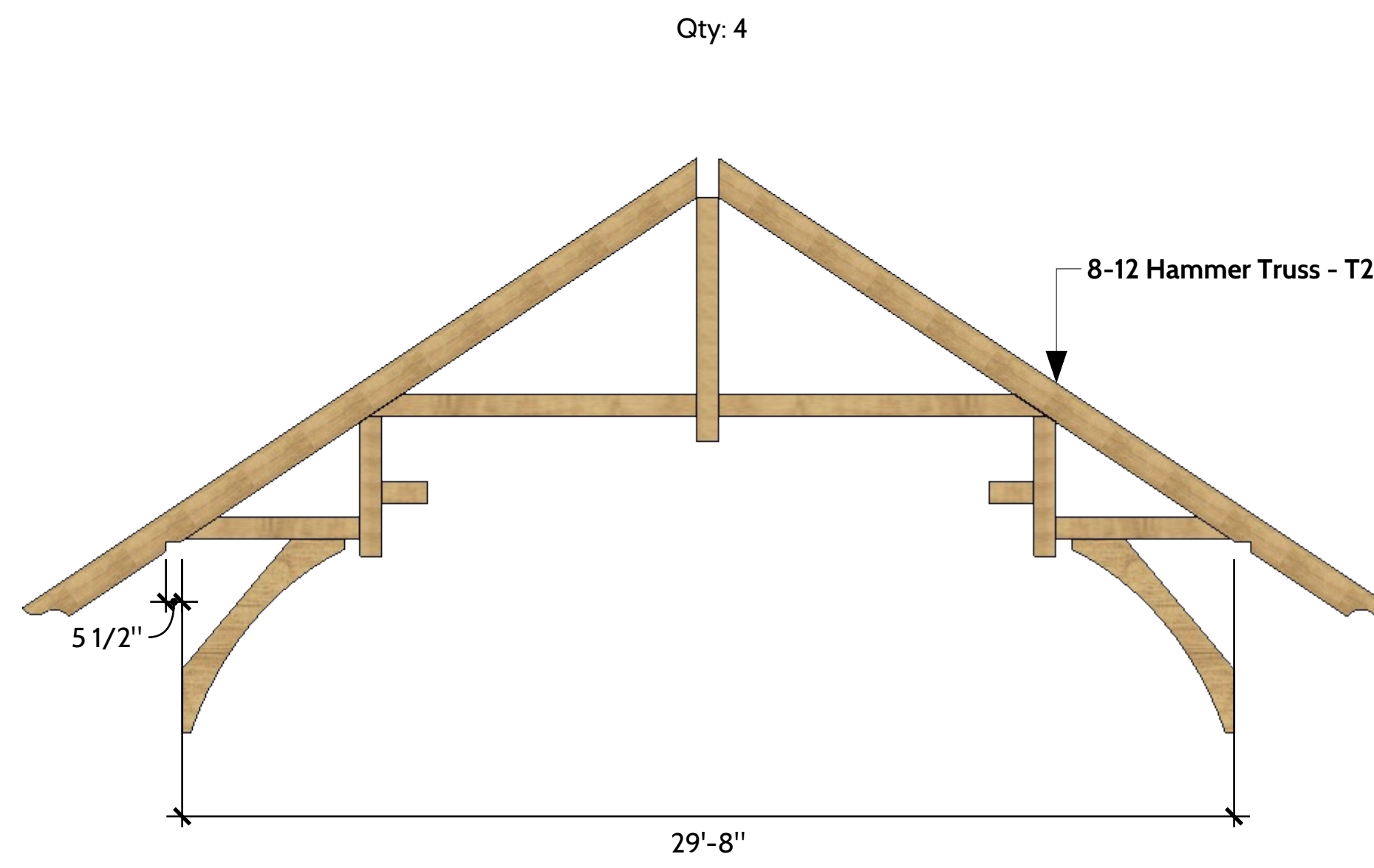
6x10 Beam - TF2



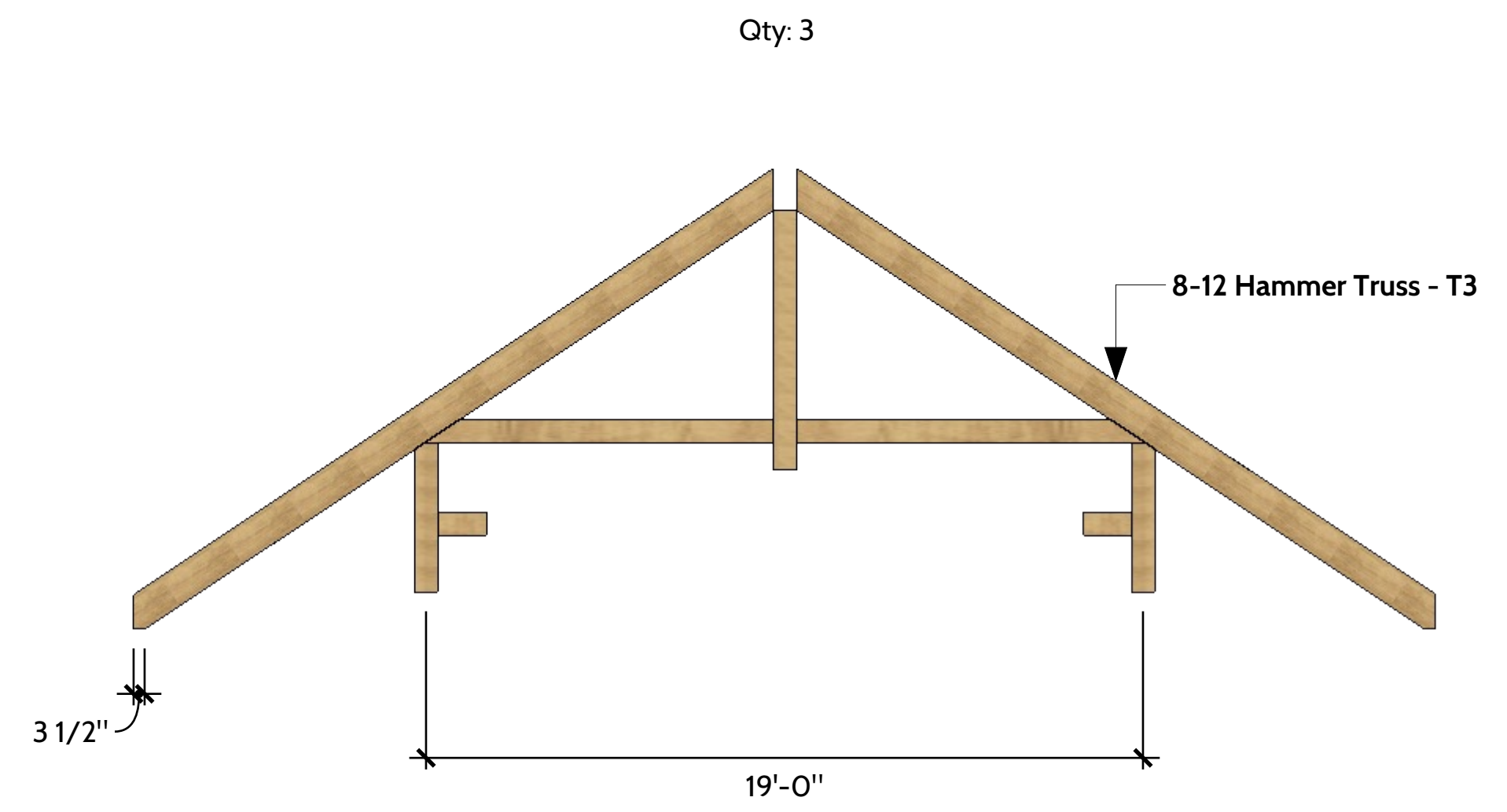
Roof Pitch: 8:12



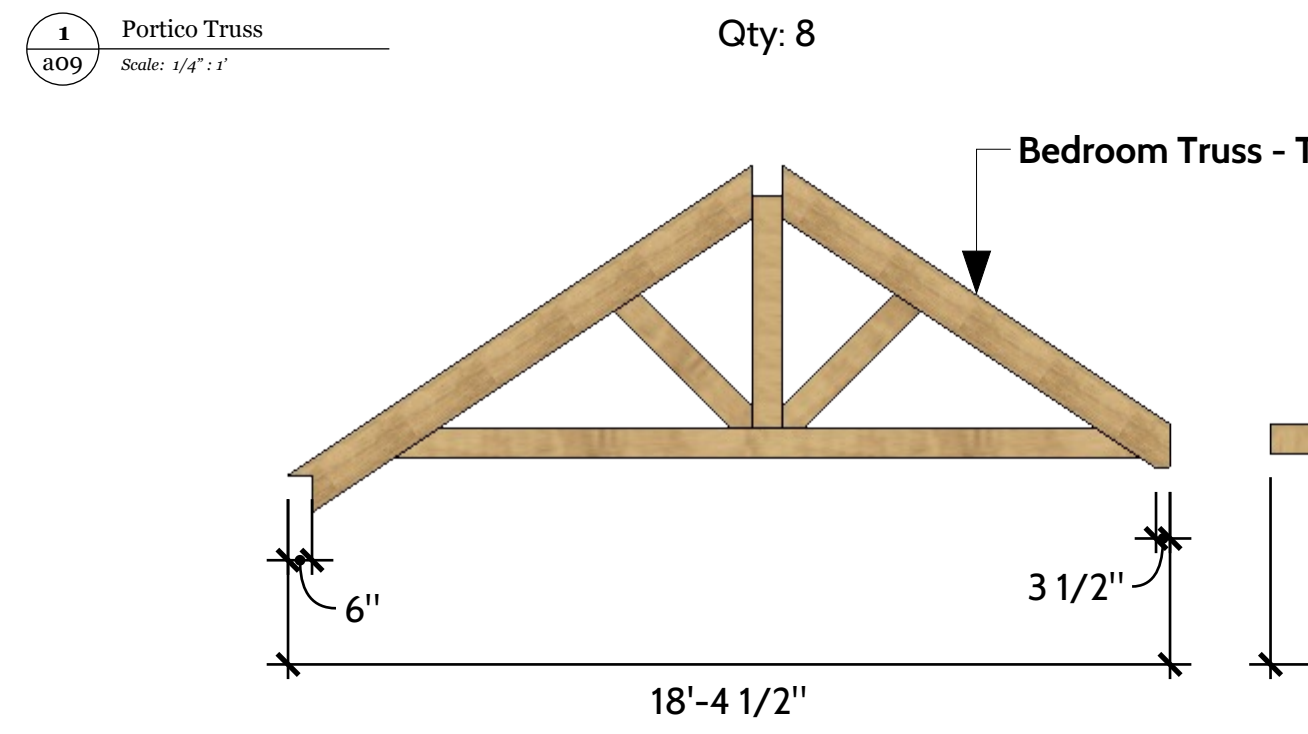
1 Portico Truss
Scale: 1/4" = 1'



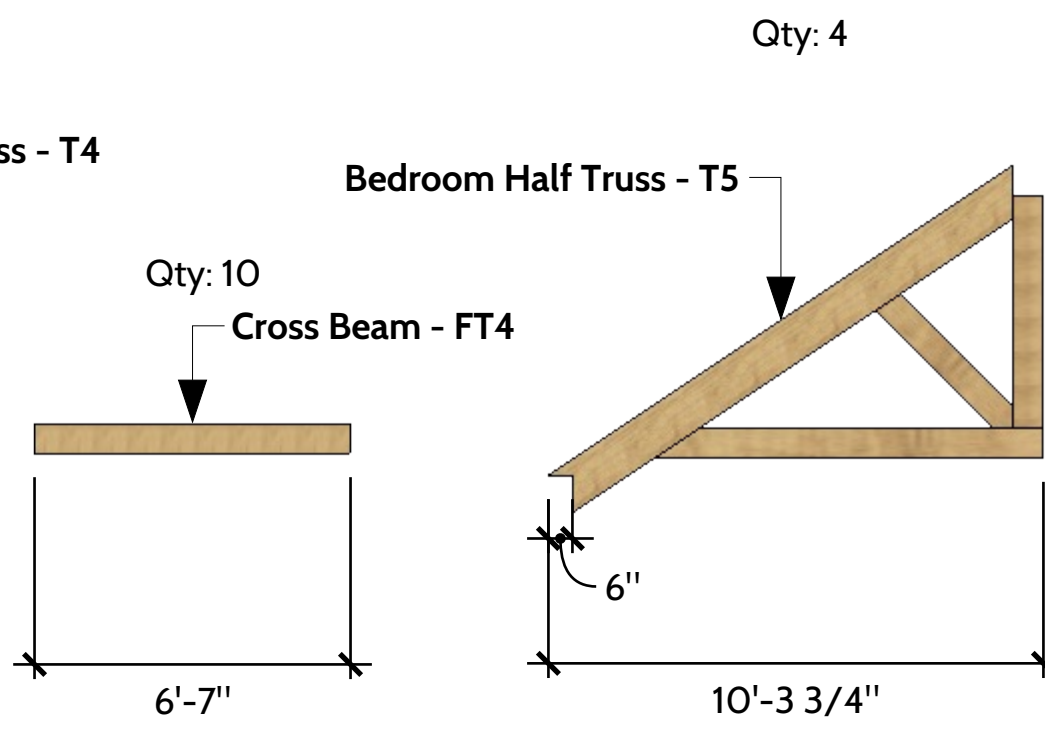
2 Great Room Truss
Scale: 1/4" = 1'



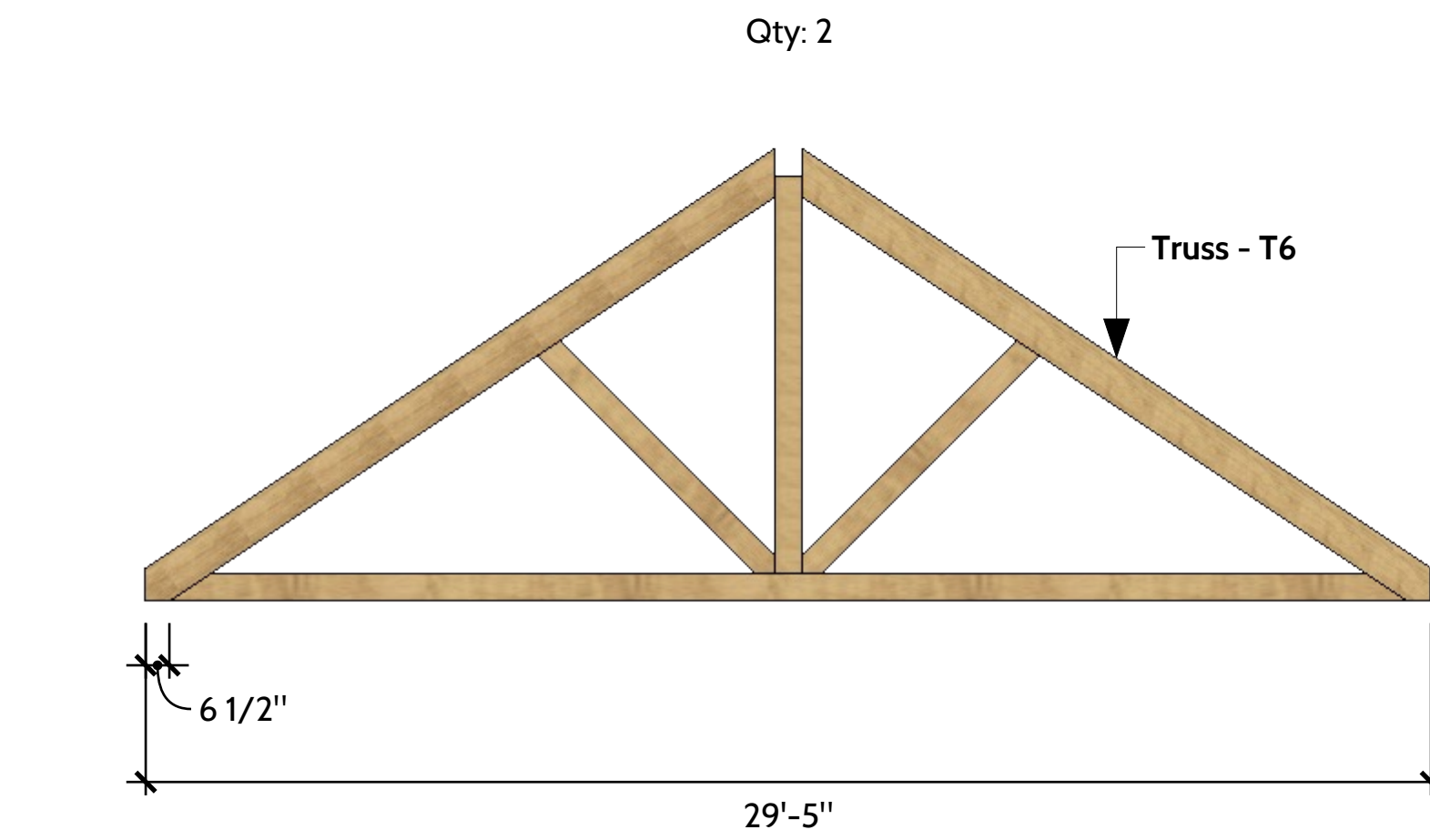
3 Kitchen/Dining Truss
Scale: 1/4" = 1'



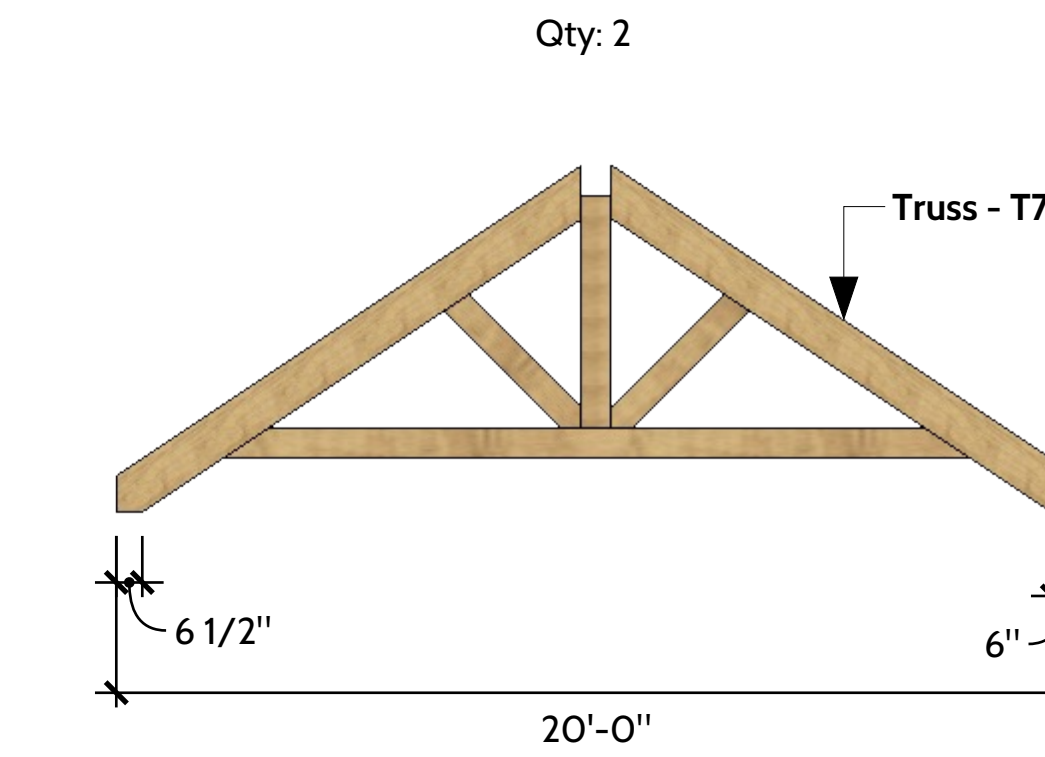
4 Bedroom 1-4 Truss
Scale: 1/4" = 1'



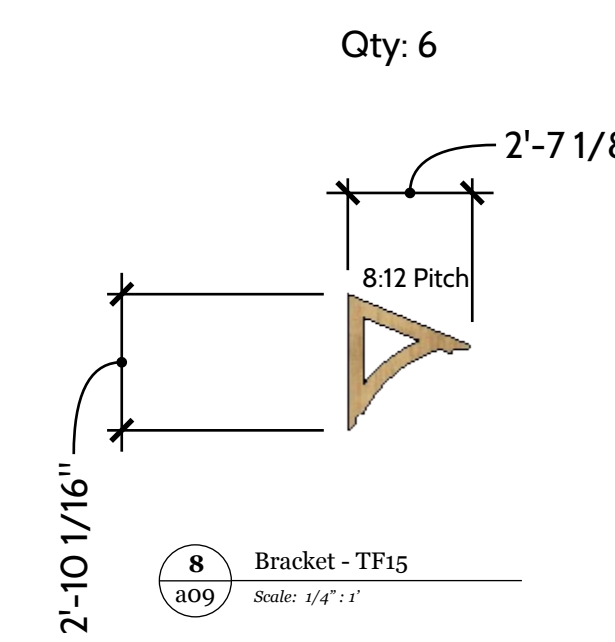
5 Master & Ben's Room Truss
Scale: 1/4" = 1'



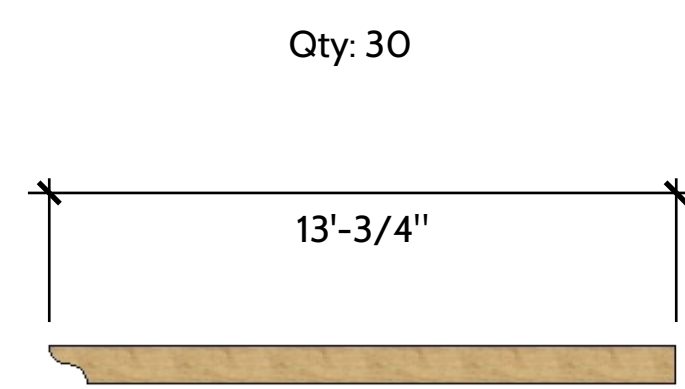
6 Media & Game Room Truss
Scale: 1/4" = 1'



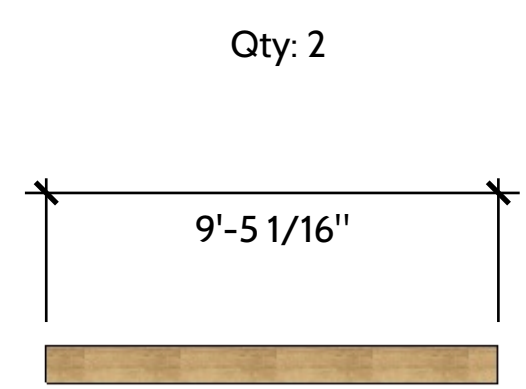
7 Sun Room Truss
Scale: 1/4" = 1'



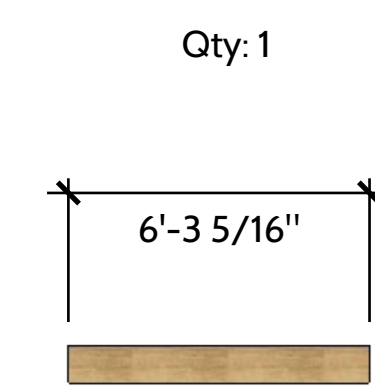
8 Bracket - TF15
Scale: 1/4" = 1'



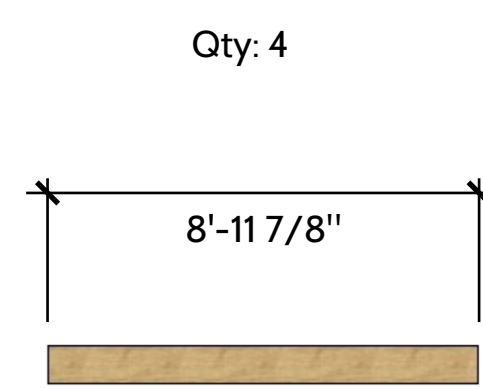
9 6x10 Beam - TF1
Scale: 1/4" = 1'



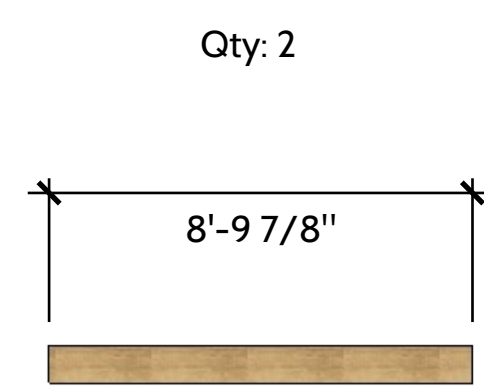
10 4x10 Lintel - TF10
Scale: 1/4" = 1'



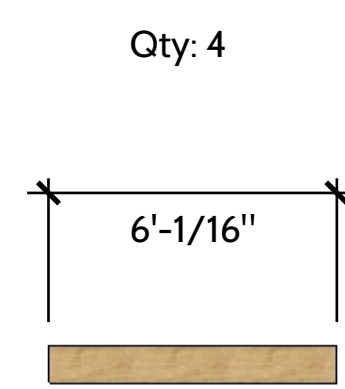
11 4x10 Lintel - TF11
Scale: 1/4" = 1'



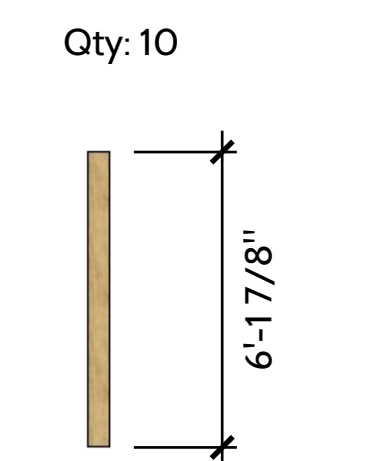
12 4x10 Lintel - TF12
Scale: 1/4" = 1'



13 4x10 Lintel - TF13
Scale: 1/4" = 1'



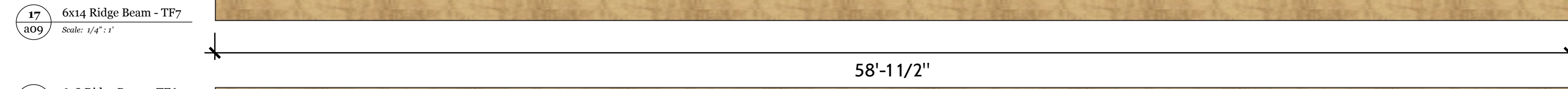
14 4x10 Lintel - TF14
Scale: 1/4" = 1'



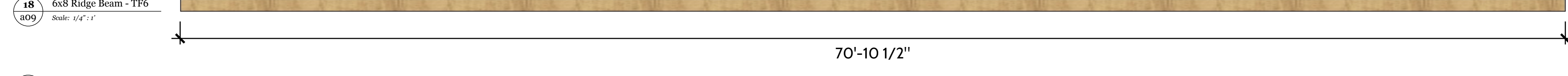
15 6x6 Porch Post - TF9
Scale: 1/4" = 1'



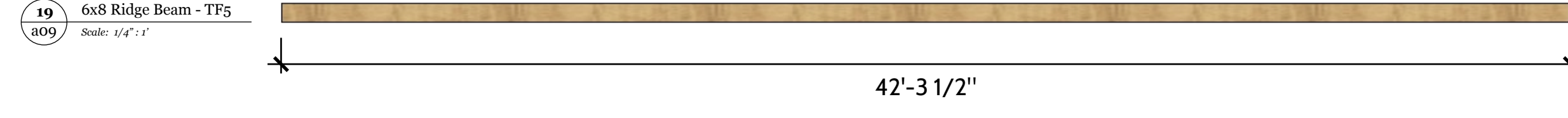
16 6x8 Ridge Beam - TF8
Scale: 1/4" = 1'



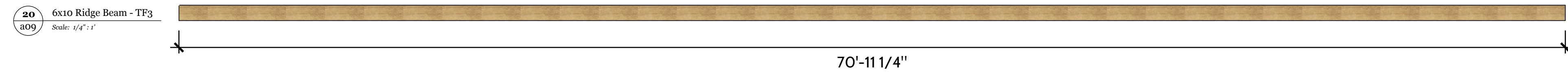
17 6x14 Ridge Beam - TF7
Scale: 1/4" = 1'



18 6x8 Ridge Beam - TF6
Scale: 1/4" = 1'



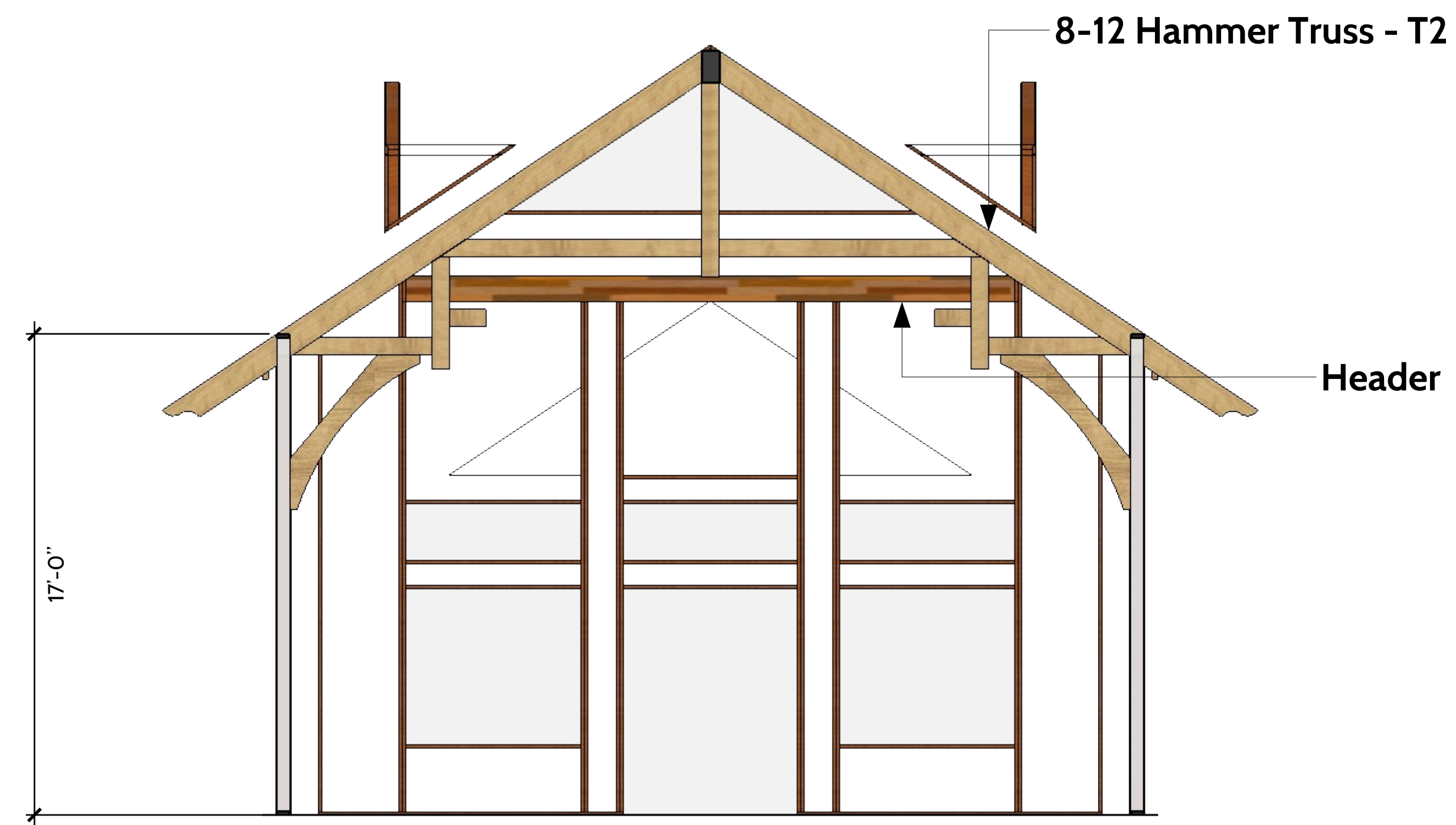
19 6x8 Ridge Beam - TF5
Scale: 1/4" = 1'



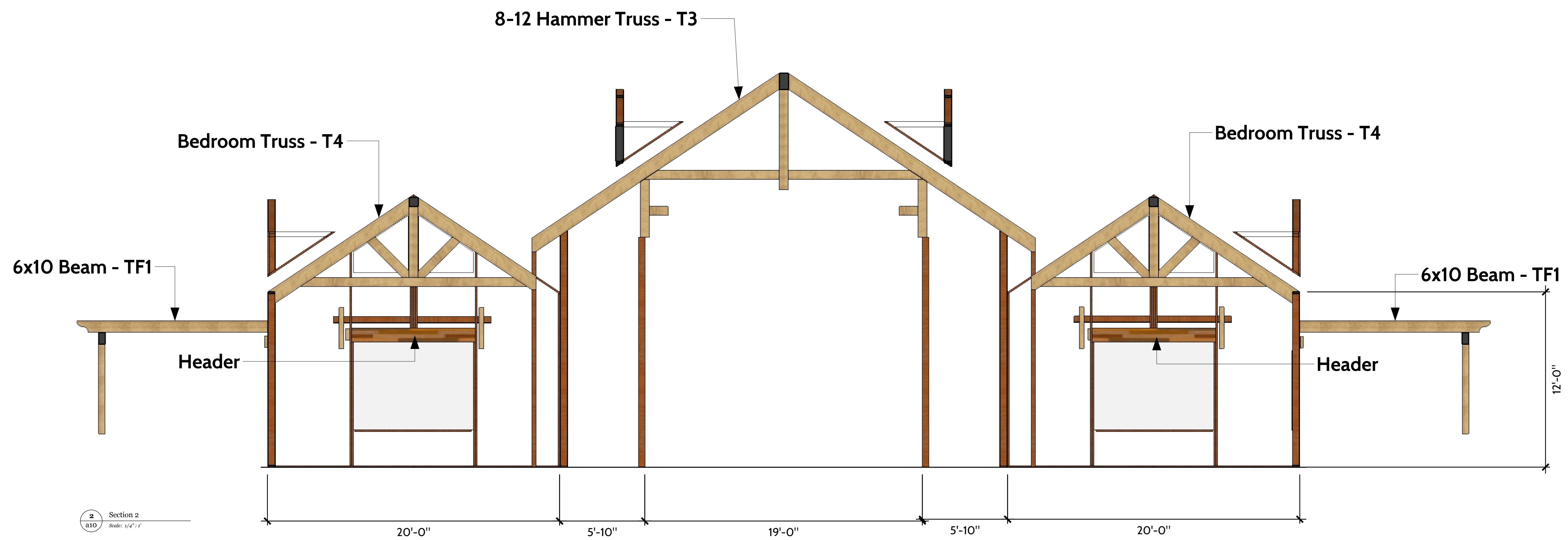
20 6x10 Ridge Beam - TF3
Scale: 1/4" = 1'



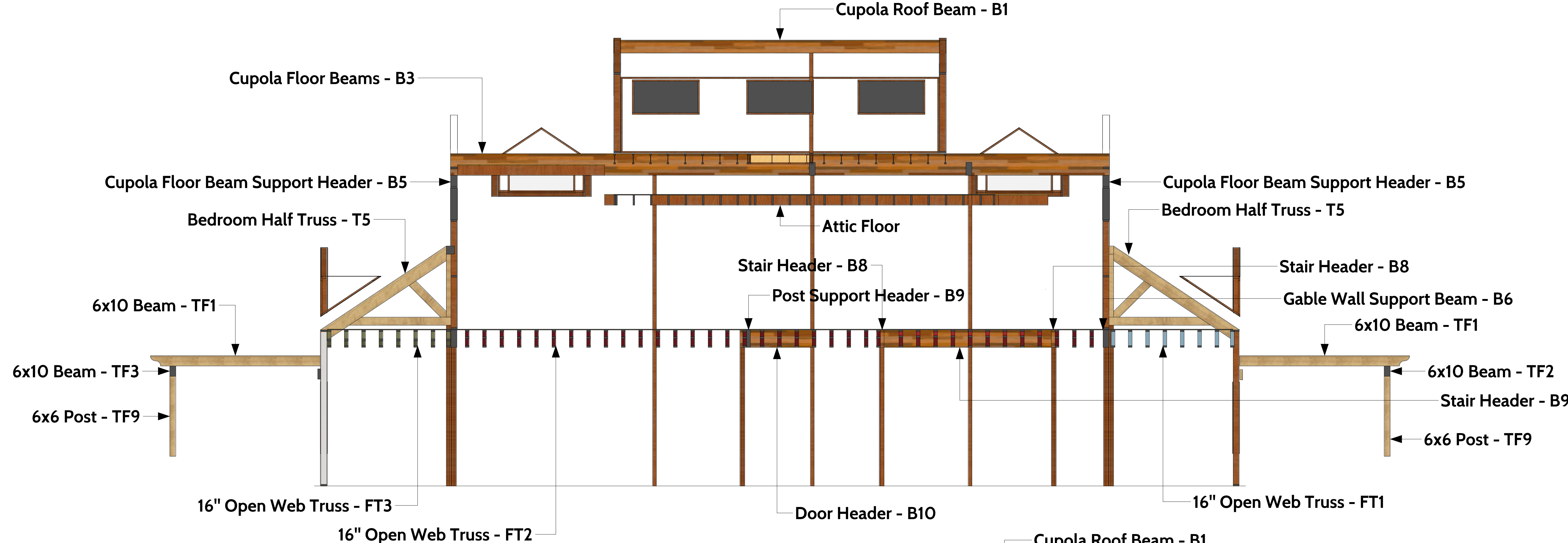
21 6x10 Ridge Beam - TF2
Scale: 1/4" = 1'



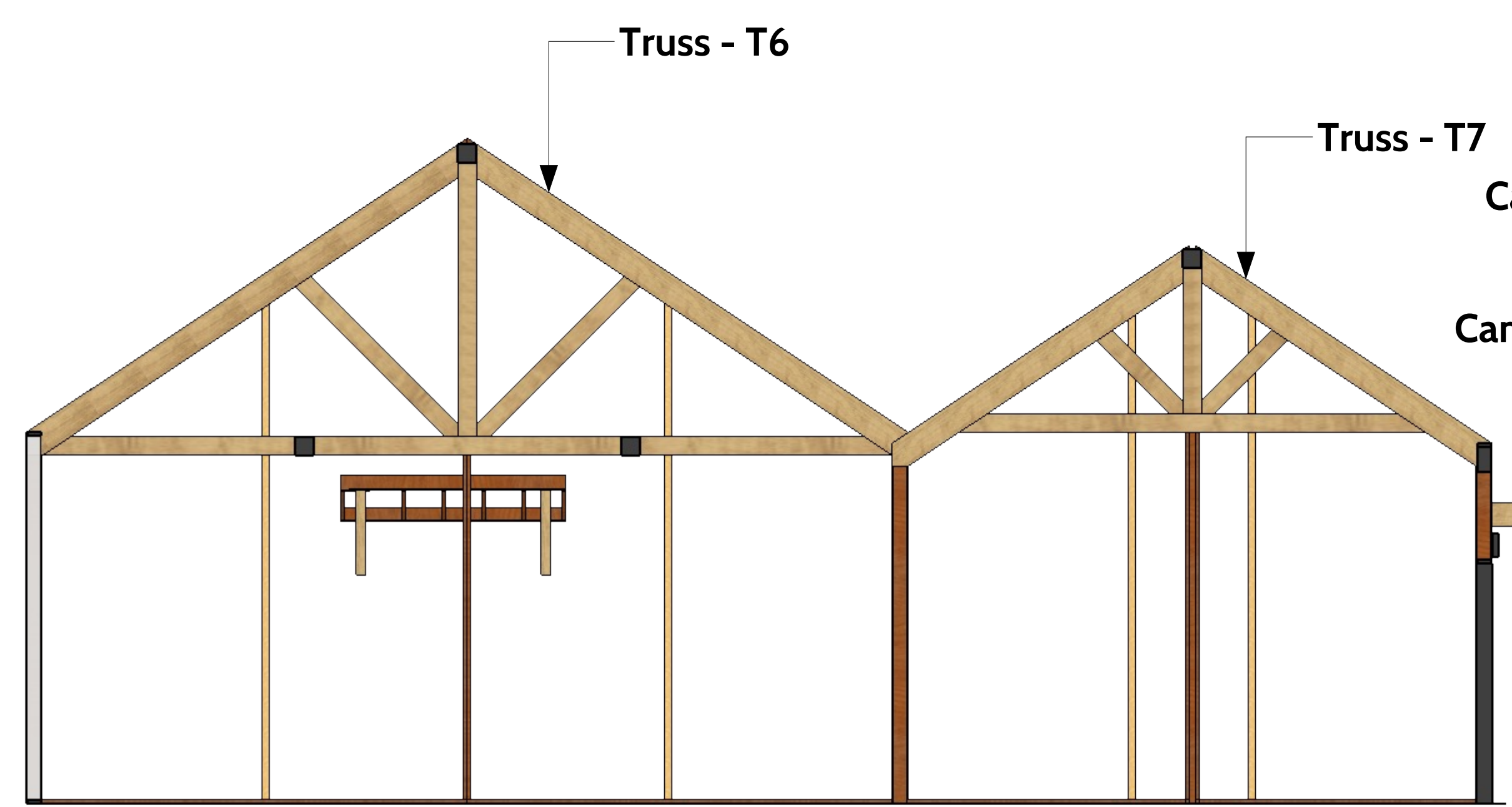
1 Section 1
a10 Scale: 1/4"=1'



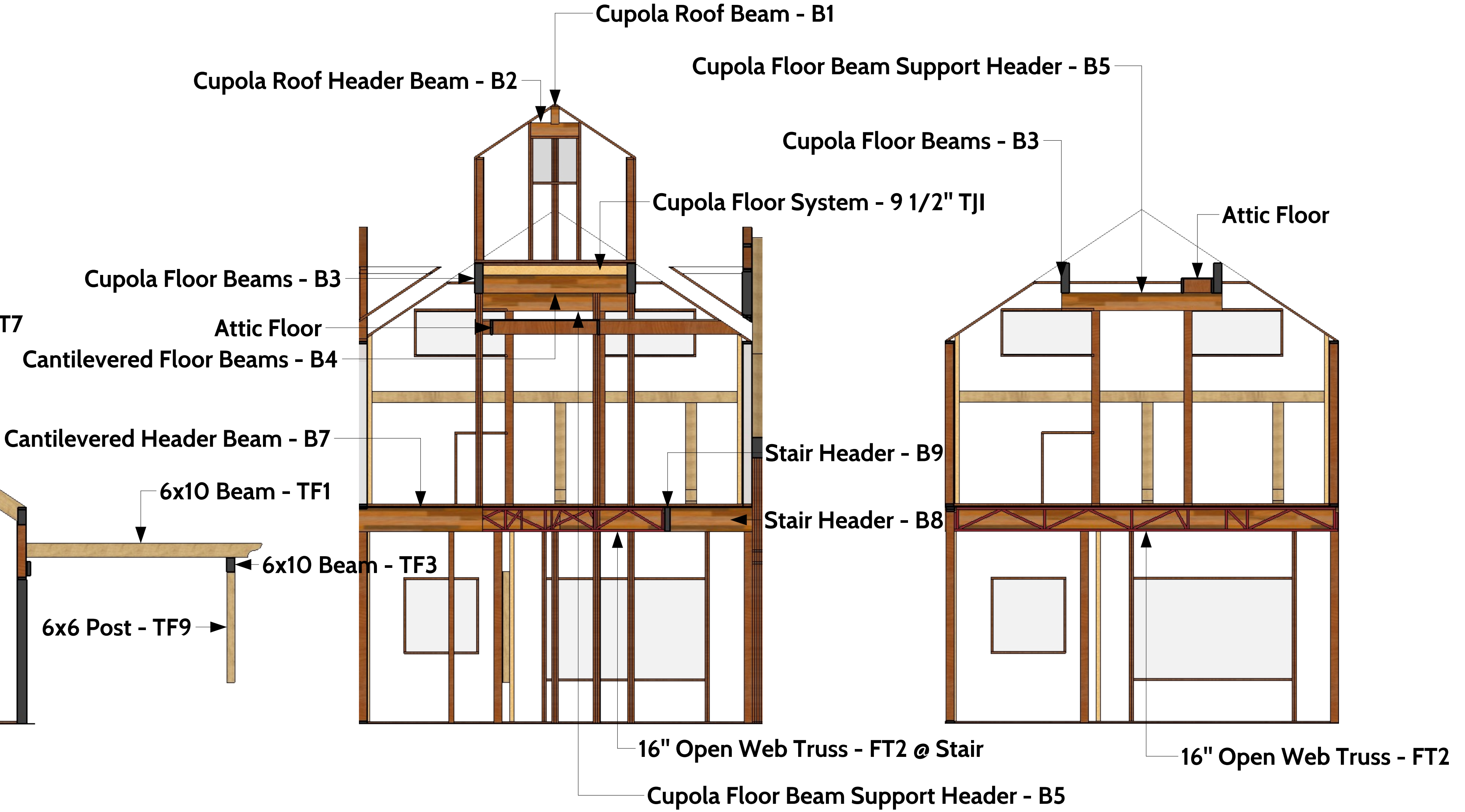
2 Section 2
a10 Scale: 1/4"=1'



1 Section 3
a11 Scale: 1/4" = 1'



2 Section 4
a11 Scale: 1/4" = 1'



3 Section 5
a11 Scale: 1/4" = 1'

4 Section 6
a11 Scale: 1/4" = 1'